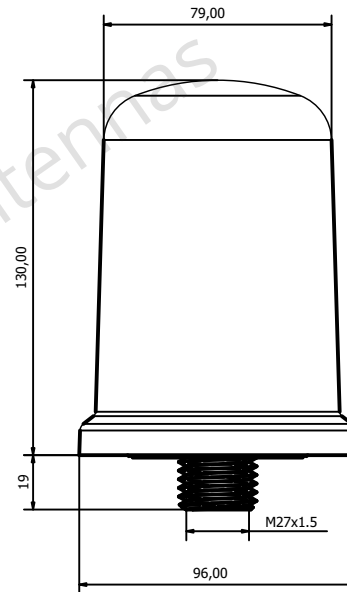


Frequency	450-470MHz 2410-2490MHz 4920-5925MHz	
Gain*	450-470MHz	0dBd
	2410-2490MHz	3dBd
	4920-5925MHz	3dBd
VSWR*	>2:1	
Impedance	50Ω	
Polarization	Linear	
Radiation pattern	Omni directional	
Maximum power	25W	
Cable**	AA195	
Connector**	BNC Male (other connectors available)	
Temperature range	-40°C to +85°C	
IP Class	IP67	
IK Class	IK09	
Certificates	ROHS/CE	
Height	130mm	
Bottom diameter	96mm	
Top diameter	79mm	



* The total efficiency and VSWR is depending on materials in the near field of the antenna and size/shape of GND. The values in the specification are typical values

** Other cable lengths and connector available on demand